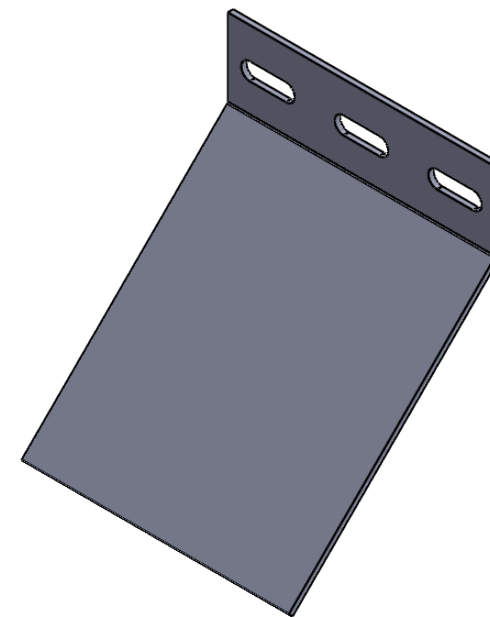
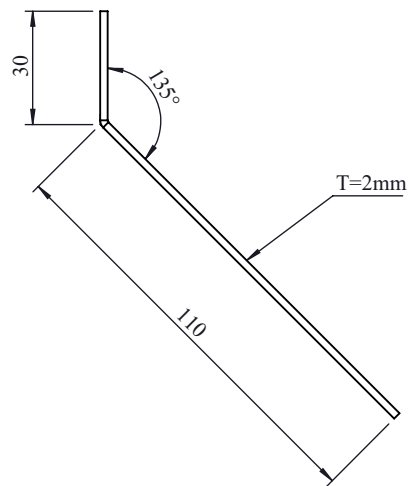
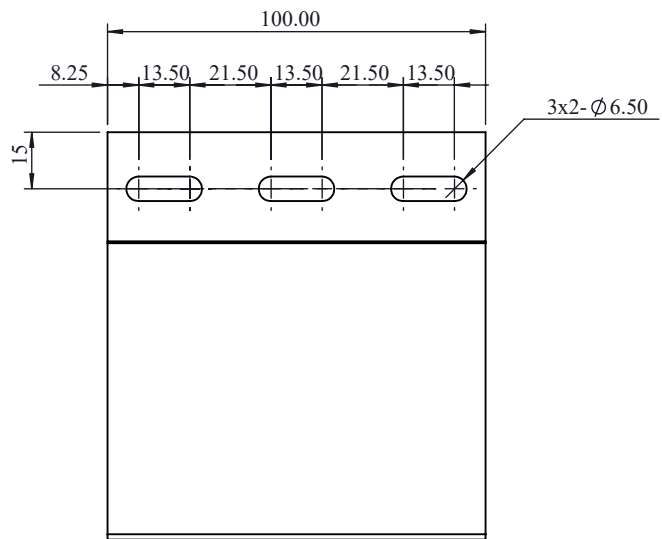


△				DISPOSITION						
△				SURF TREAT						
△				HEAT TREAT						
△				QTY	MATERIAL	TRACED	DESIGNED	CHECKED	APPRVED	SCALE
	CHANGE NOTICE	DATE	DESIGNED	4	SUS304		Nguyễn Văn Thuận			
DRAWING NO		MACHINE NAME		Luoidaogat1		DRAWING NO				
⊕		PART NAME		HTV-19102022-008-A						



△				DISPOSITION						
△				SURF TREAT						
△				HEAT TREAT						
△				QTY	MATERIAL	TRACED	DESIGNED	CHECKED	APPRVED	SCALE
	CHANGE NOTICE	DATE	DESIGNED	2	SUS304		Nguyễn Văn Thuận			
DRAWING NO		MACHINE NAME		Luoidaogat2		DRAWING NO				
⊕	SMT		PART NAME							