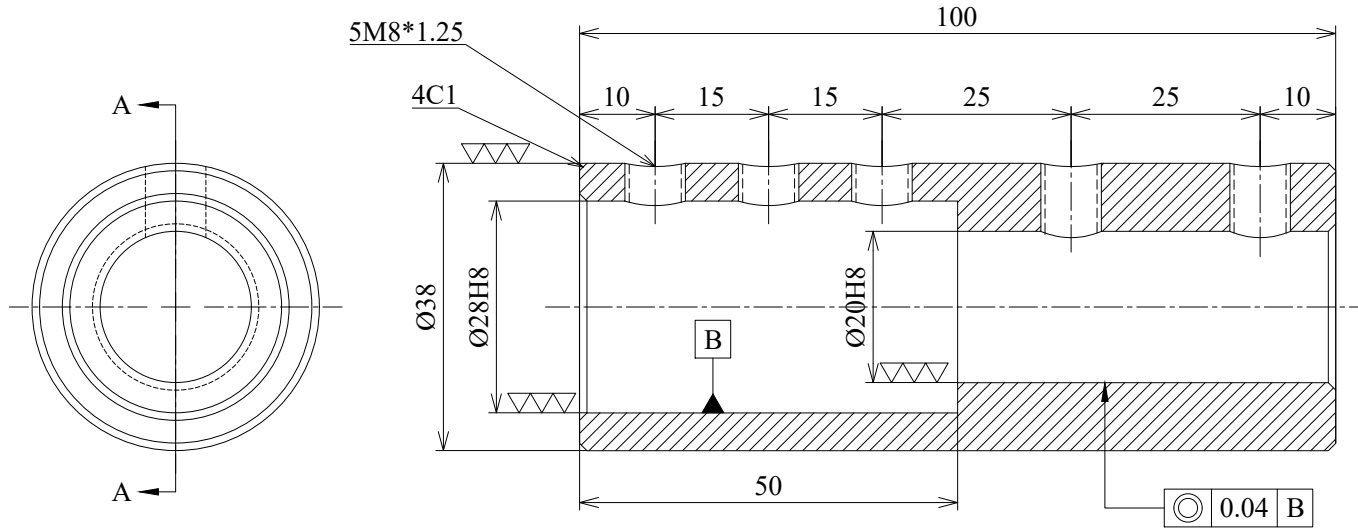


SURFACE ROUGHNESS Ra	Mark	Date	Reason of alteration	Modified	Nominal size	TOLRENCE		
						fine +/-	siandered +/-	rough +/-
12.5 ~ 25		△1	/ /					
3.2 ~ 6.3		△2			1 ~ 4	0.05	0.1	0.3
0.4 ~ 1.6		△3			4 ~ 16	0.07	0.2	0.5
0.025 ~ 0.2		△4			16 ~ 63	0.1	0.3	0.7
					63 ~ 250	0.2	0.5	1.2
					250 ~ 1000	0.3	0.8	2.0



SECTION A-A
SCALE 1:1

